

# LHM 0606/10

## Ceiling Loudspeaker



### Security Systems

- Suitable for speech and music reproduction
- Flush-mounting in ceiling cavity
- Easy to install
- Simple power setting
- Optional certified fire dome mounting
- Unobtrusive in virtually all interiors
- Complies with international installation and safety regulations



Bosch range of loudspeakers offer a selection of units to meet most public address system requirements. And as a result of long and wide-ranging experience in all aspects of sound reinforcement, the unrivalled quality of these products can be guaranteed.

An economic flushing-mounting ceiling loudspeaker is available for general purpose applications. This full range loudspeaker is suitable for both speech and music reproduction in shops, department stores, schools, offices, sports halls, hotels and restaurants.

The speaker assembly consists of a single-piece, 6W dual cone loudspeaker and frame, with a 100V matching transformer mounted on the back. A circular metal grille is an integrated part of the front. The appearance and neutral white colour has been selected to be unobtrusive in virtually all interiors.

#### Power setting

Three lead wires are provided on the matching transformer (Primary) to allow selection of nominal full-power, half-power or quarter-power radiation.

#### Mounting

The assembly can be simply and quickly installed into a hole in the ceiling cavity and secured by two integral spring-loaded ceiling locking clamps. A circular template for marking a 165 mm diameter hole is included with the loudspeaker.

#### Fire dome

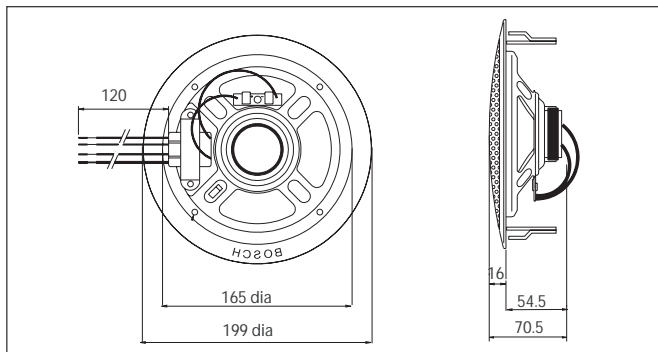
During a fire, the ceiling cavity in which loudspeakers are installed can allow flames to spread throughout a building.

To prevent fire entering the cavity via the loudspeaker, the ceiling loudspeaker can be fitted with a protective steel fire dome (LBC 3080/01). This optional fire dome is mounted on the loudspeaker assembly using four self-tapping screws, supplied as standard. There are four knock-out holes; two (2) for rubber grommets (supplied) and two (2) for cable glands. (PG13).

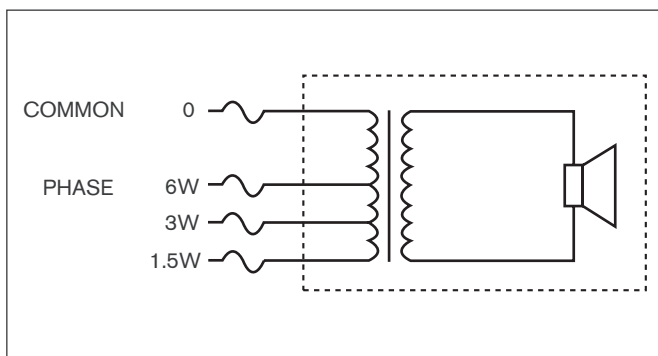
#### Safety aspects

In common with all Bosch products, care is taken to meet high safety standards. This enclosure complies with the relevant safety and installation regulations of EN 60065.

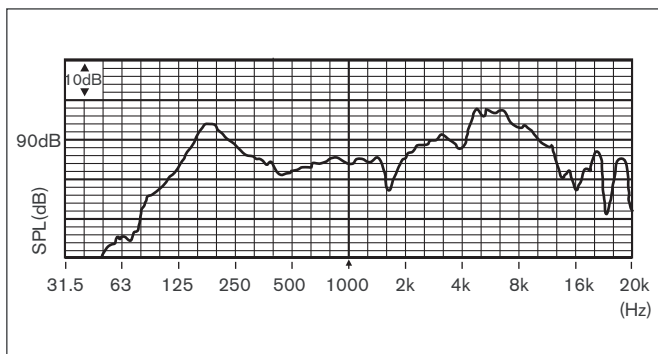
# BOSCH



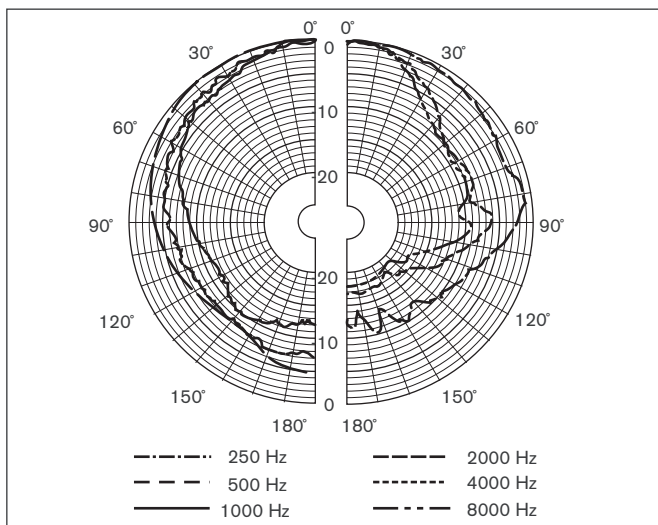
Dimensions (in mm)



Circuit diagram



Frequency response



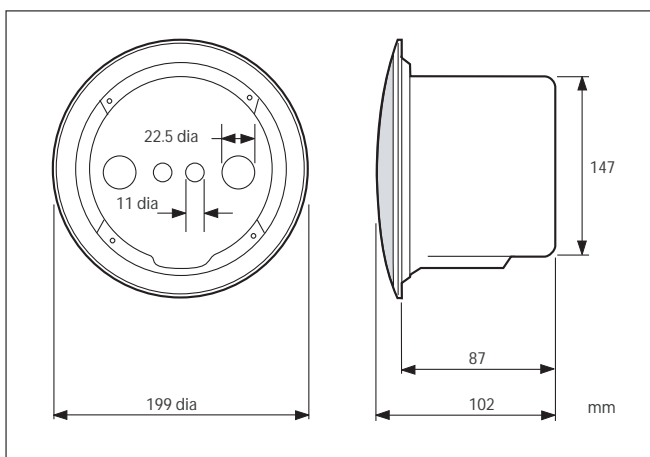
Polar diagram (measured with pink noise)

Technical performance data acc. to IEC 268-5

	<b>LHM 0606/10</b>
Max. power	9 W
Rated power (PHC)	6 W (6-3-1.5 W)
Sound pressure level at 6W/1W	92 dB/ 84 dB (SPL)
<b>(at 1kHz, 1 m)</b>	
Effective frequency range (-10 dB)	80 Hz to 18 kHz
Opening angle	175° / 55°
<b>(at 1 kHz/4 kHz, -6 dB)</b>	
Rated voltage	100 V
Rated impedance	1667 ohm
Speaker size	6"
Ambient temperature range	-25° to +55° C
Safety	acc. to EN 60065
Dimensions (dia x max. depth)	199 x 70.5 mm
Mounting cut-out dia.	165 mm
Colour	White (RAL 9010)
Weight	620 g

	<b>LBC 3080/01</b>
Dimensions (dia x max. depth)	147 x 87 mm
Certified B15	acc. to DIN 4102
Colour	White (RAL 9010)
Weight	360 g

LBC 3080/01



LHM 0606/10+LBC 3080/01 fire dome assembly dimensions

Bosch Security Systems  
www.boschsecuritysystems.com

**BOSCH**